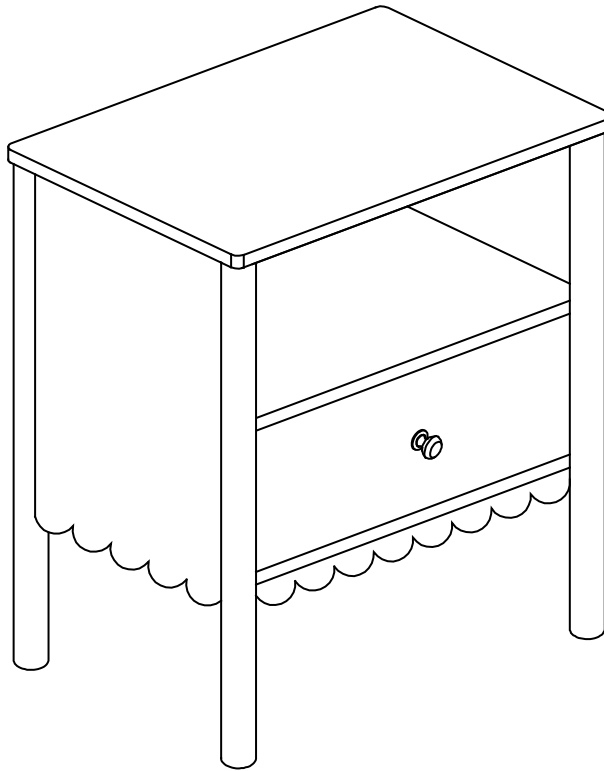


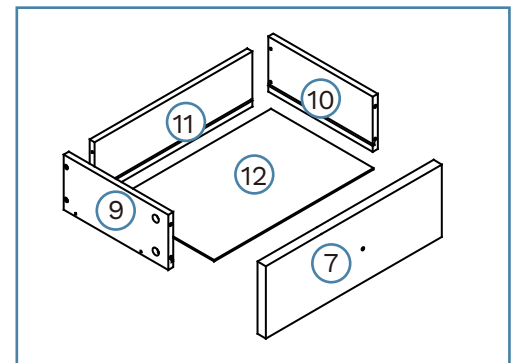
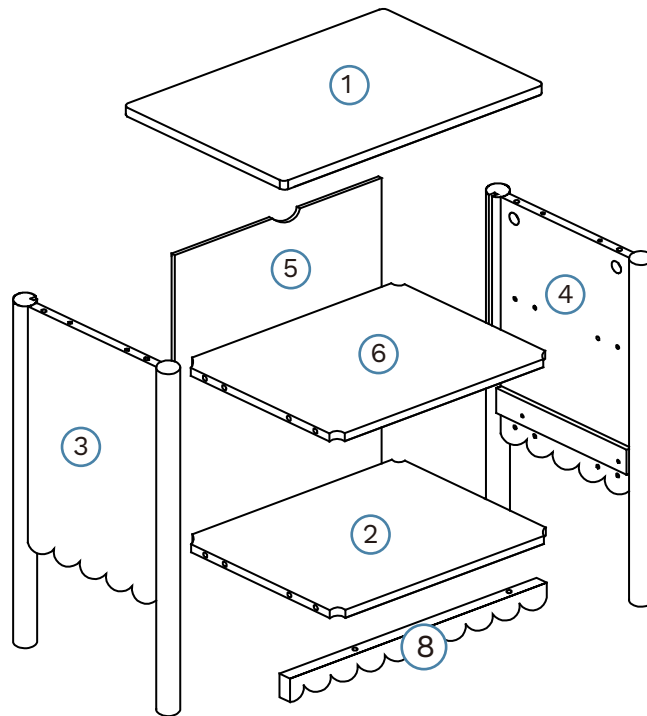
Maisie Scalloped Bedside Table

Thank you for your purchase. Please follow the instructions for correct assembly. While we took great effort to ensure these assembly instructions were correct at the time of printing, sometimes updates are required post production. For the most up to date versions please refer to the product page on our website. mocka.com.au/mocka.co.nz



Maisie Scalloped Bedside Table

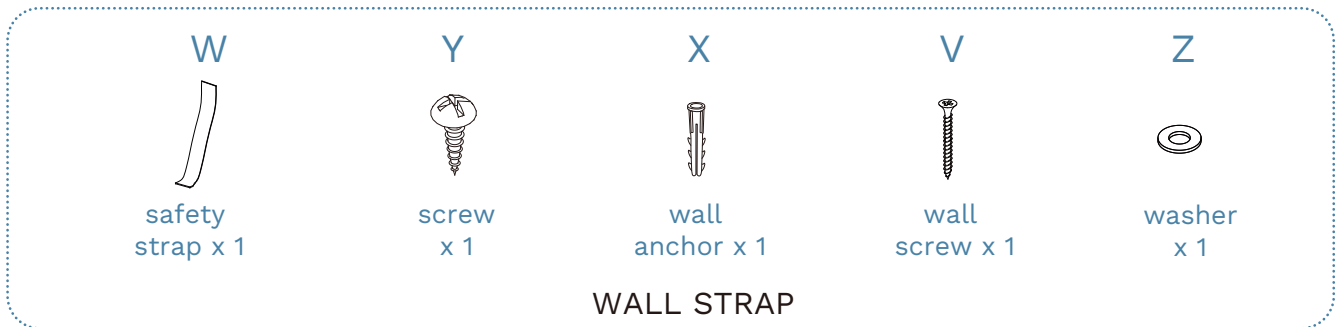
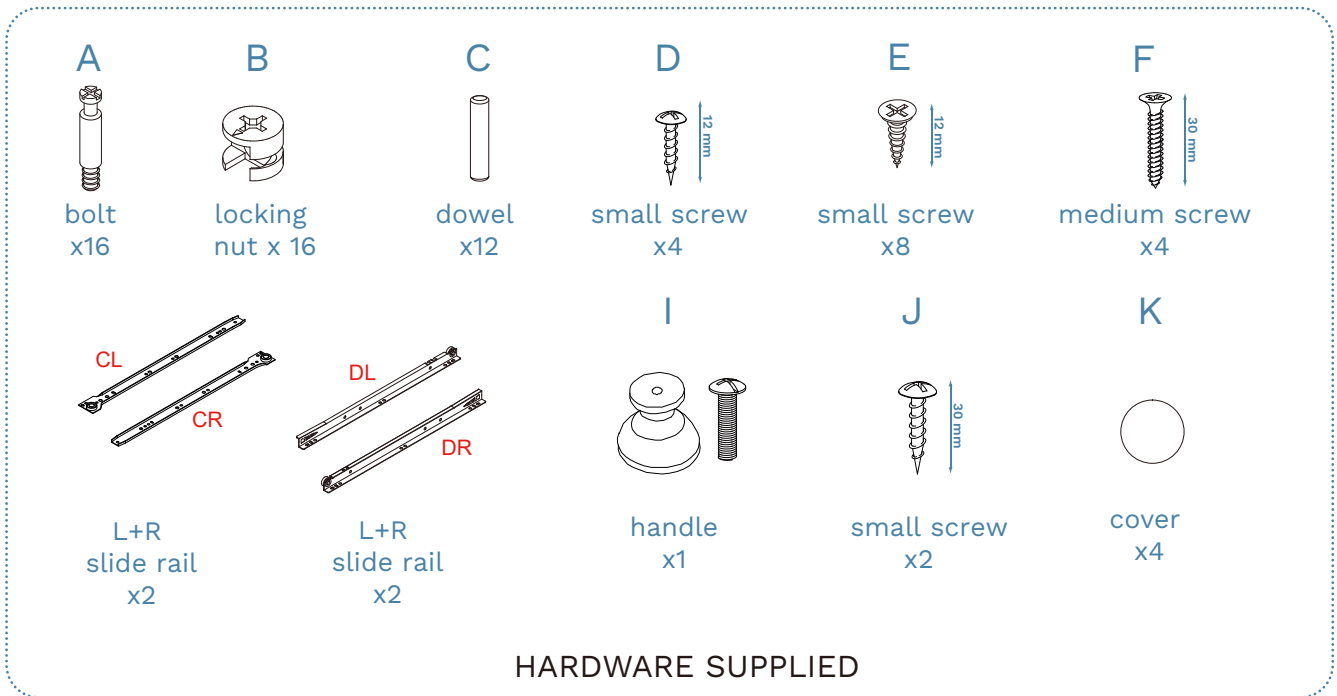
Panel Layout



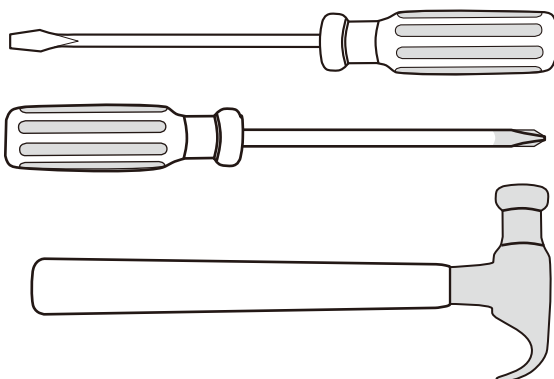
Partlist

①	Top Panel	x1	⑦	Drawer Front	x1
②	Bottom Panel	x1	⑧	Rail	x1
③	left Side Panel	x1	⑨	Left Drawer Side	x1
④	Right Side Panel	x1	⑩	Right Drawer Side	x1
⑤	Back Panel	x1	⑪	Drawer Back	x1
⑥	Shelf Panel	x1	⑫	Drawer Base	x1

Maisie Scalloped Bedside Table



WARNING: Any furniture that is not anchored to a wall has the potential to tip over in certain circumstances, i.e. if a child attempts to climb up on the furniture or in the event of an earthquake. Accordingly, we recommend that all furniture is anchored to a wall. We supply a free safety wall anchor with all furniture sold and we recommend these are used to prevent your product tipping. The fixing device provided should fit most wall types, but please note that different wall materials may require different fixing devices from those supplied.

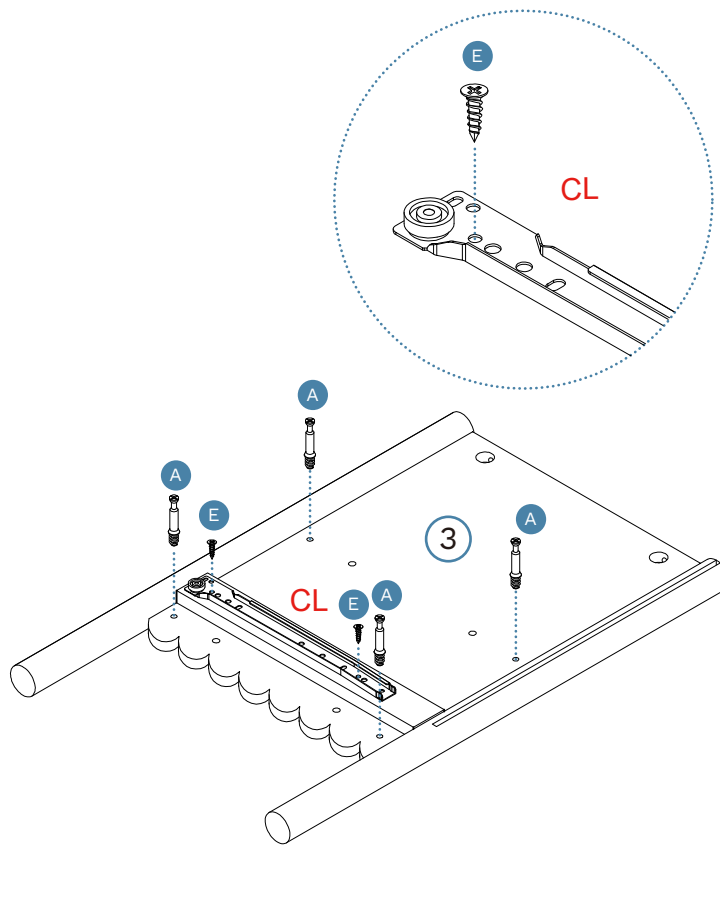





Phillips & Flathead screwdrivers and hammer required

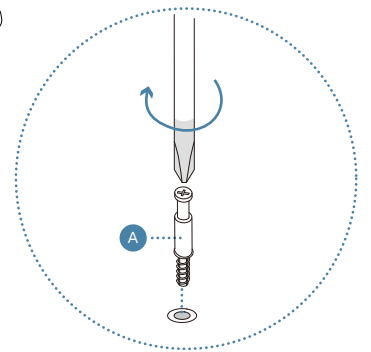
For quicker assembly, we recommend the use of a power drill on a low-speed setting.

Maisie Scalloped Bedside Table

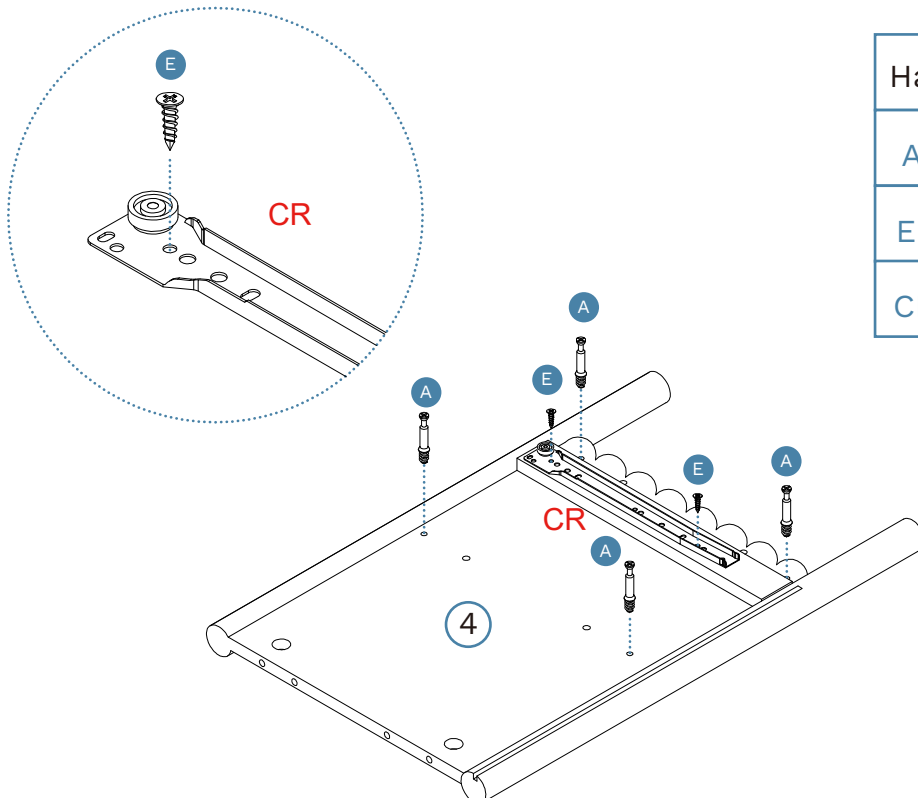
1

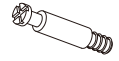




Hardware Needed		
A		x4
E		x2
CL		x1



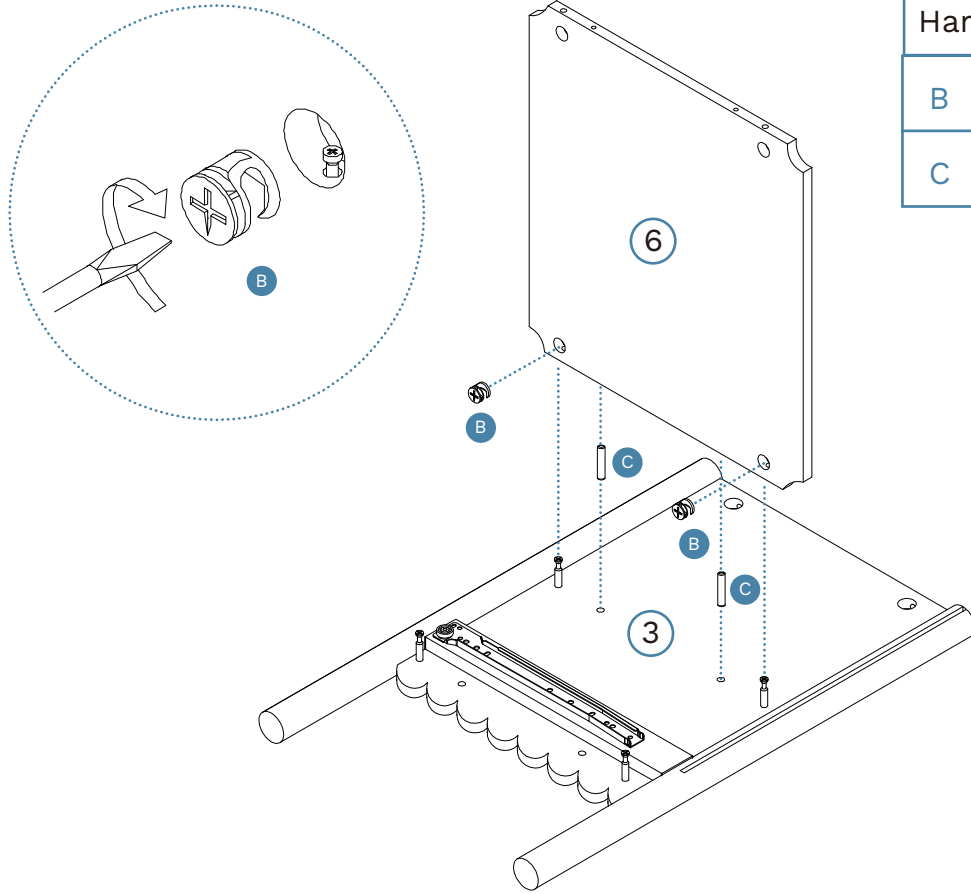
2



Hardware Needed		
A		x4
E		x2
CR		x1

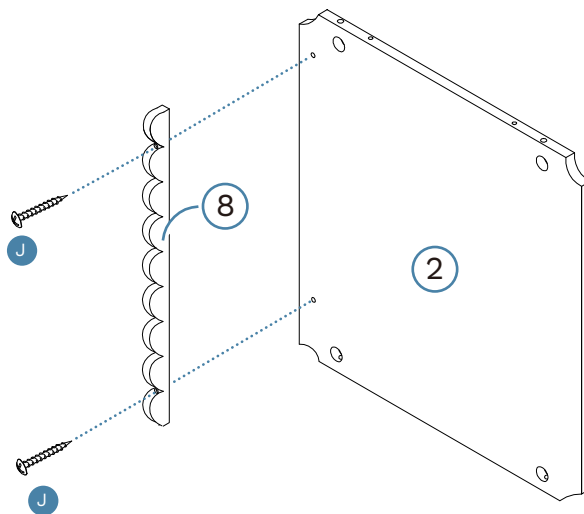
Maisie Scalloped Bedside Table

3



Hardware Needed		
B		x2
C		x2

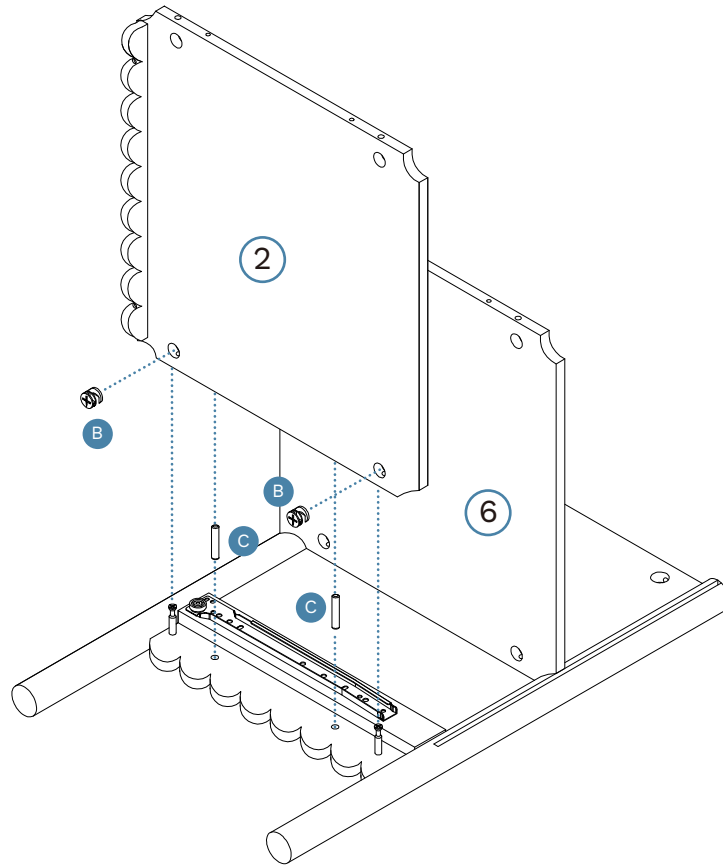
4





Hardware Needed		
J		x2

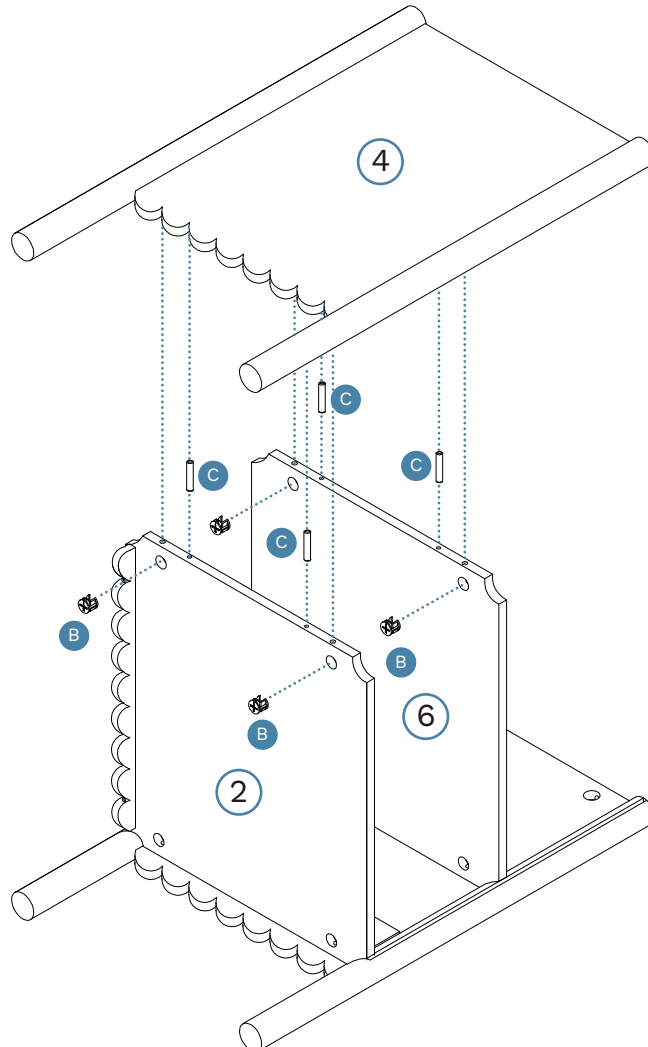
Maisie Scalloped Bedside Table



5



Hardware Needed		
B		x2
C		x2

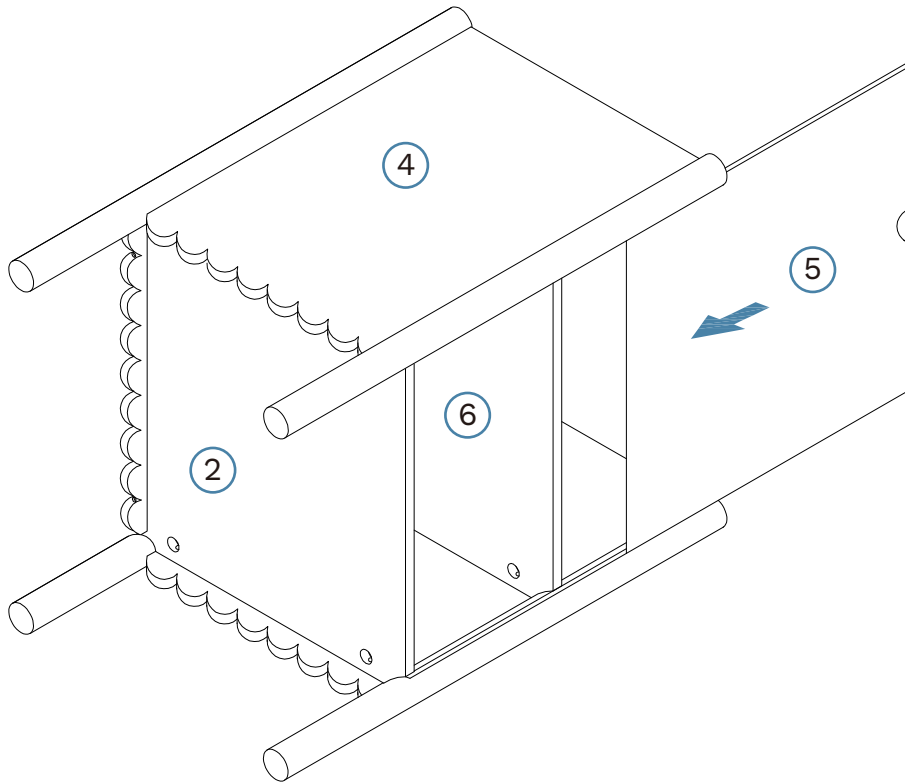
6



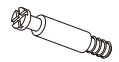


Hardware Needed		
B		x4
C		x4

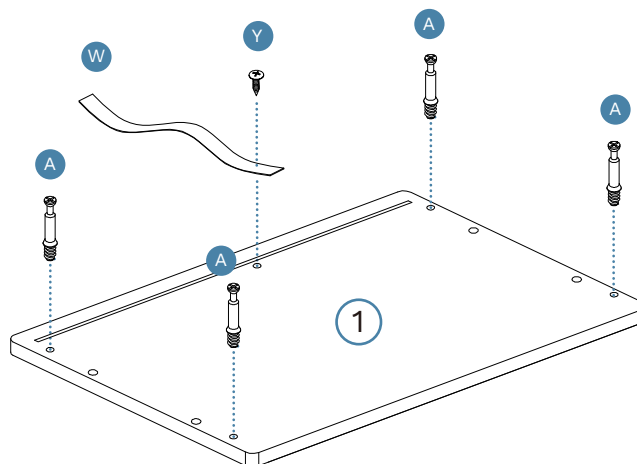
Maisie Scalloped Bedside Table

7



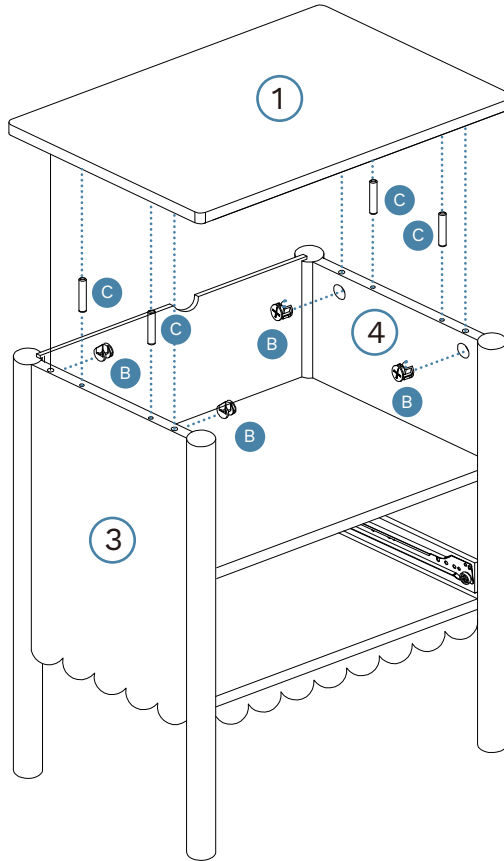
8


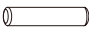
Hardware Needed		
A		x4
Y		x1
W		x1



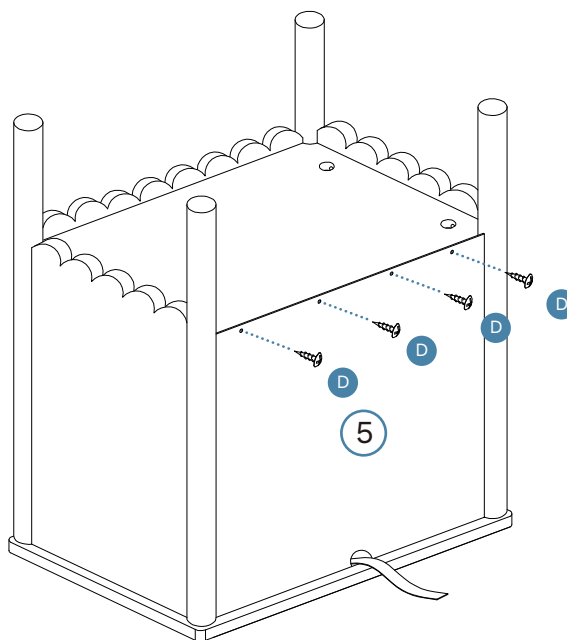
Maisie Scalloped Bedside Table

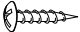
9



Hardware Needed		
B		x4
C		x4


10

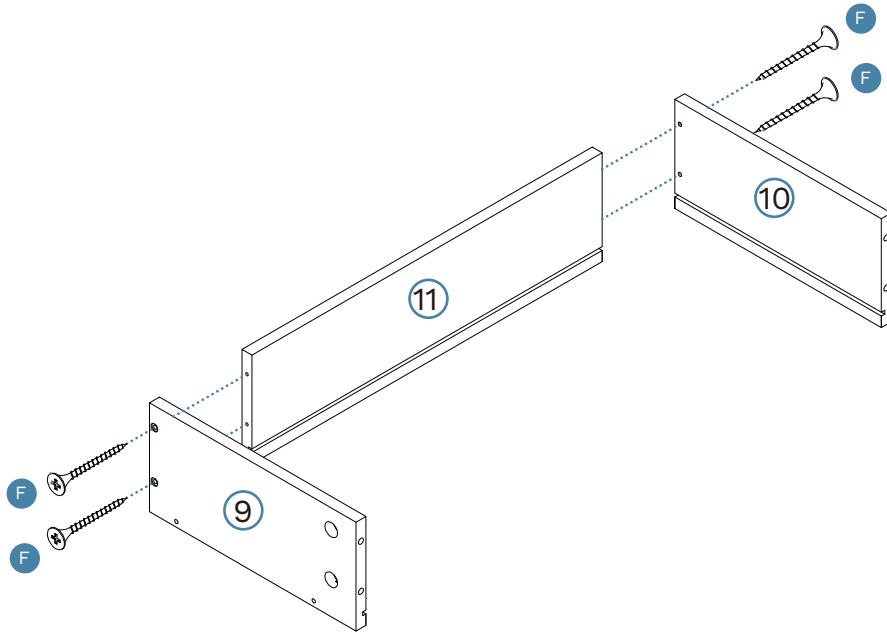


Hardware Needed		
D		x4

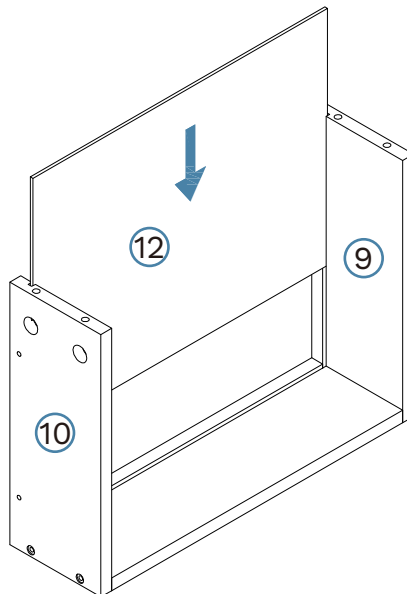
Maisie Scalloped Bedside Table

11

Hardware Needed		
F		x4

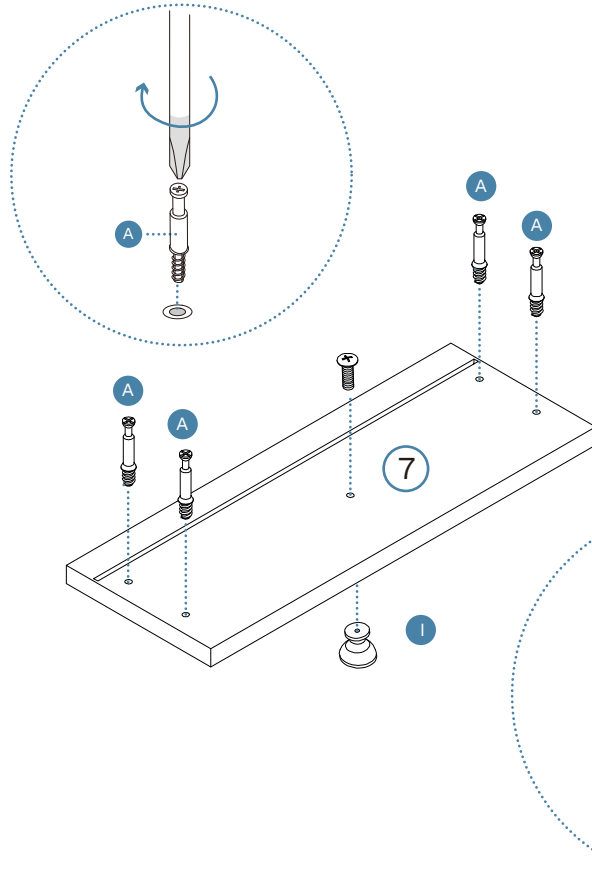


12



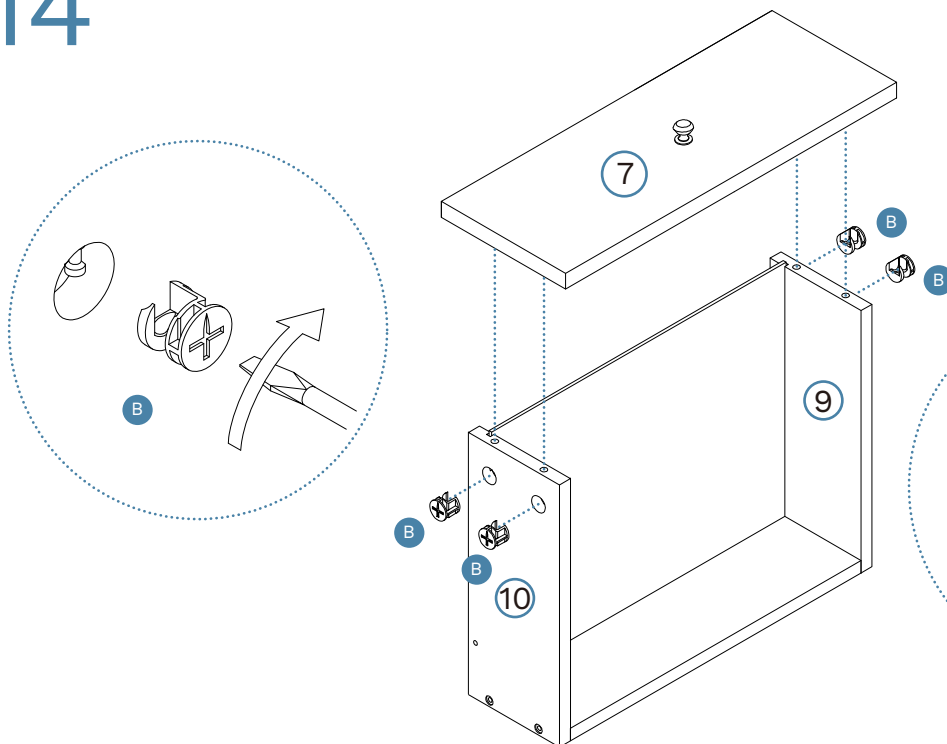
Maisie Scalloped Bedside Table

13



Hardware Needed		
A		x4
I		x1

14

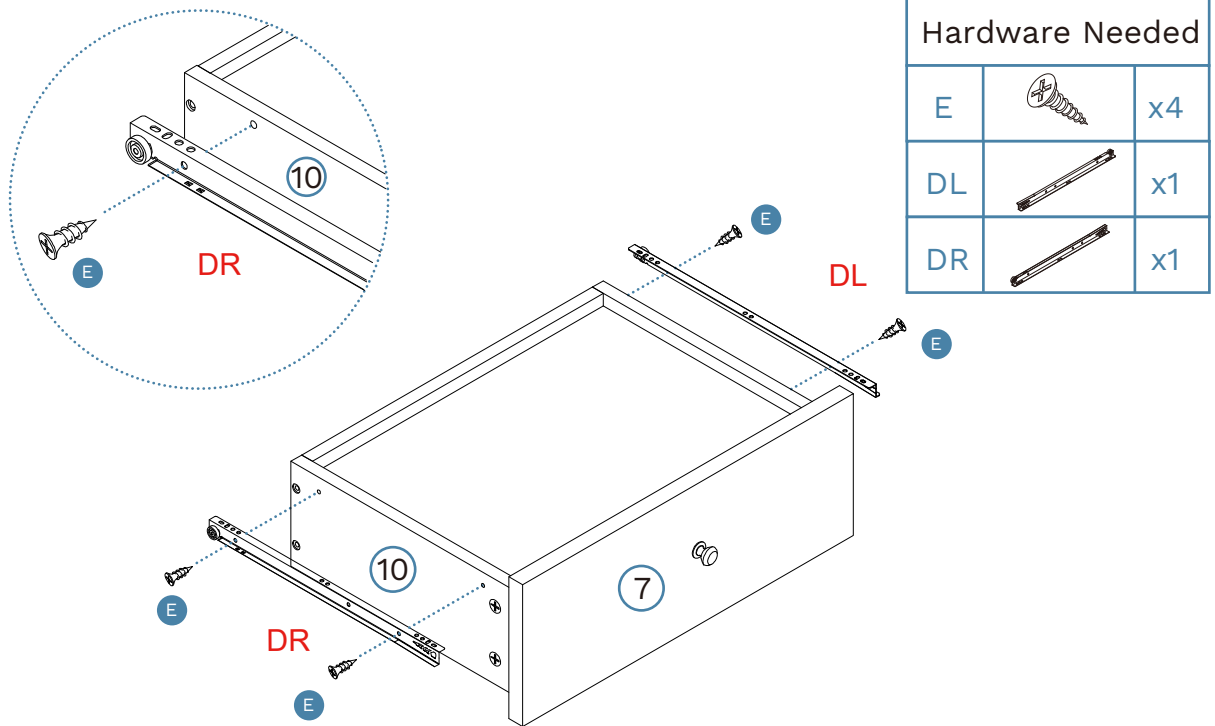


Hardware Needed		
B		x4
K		x4

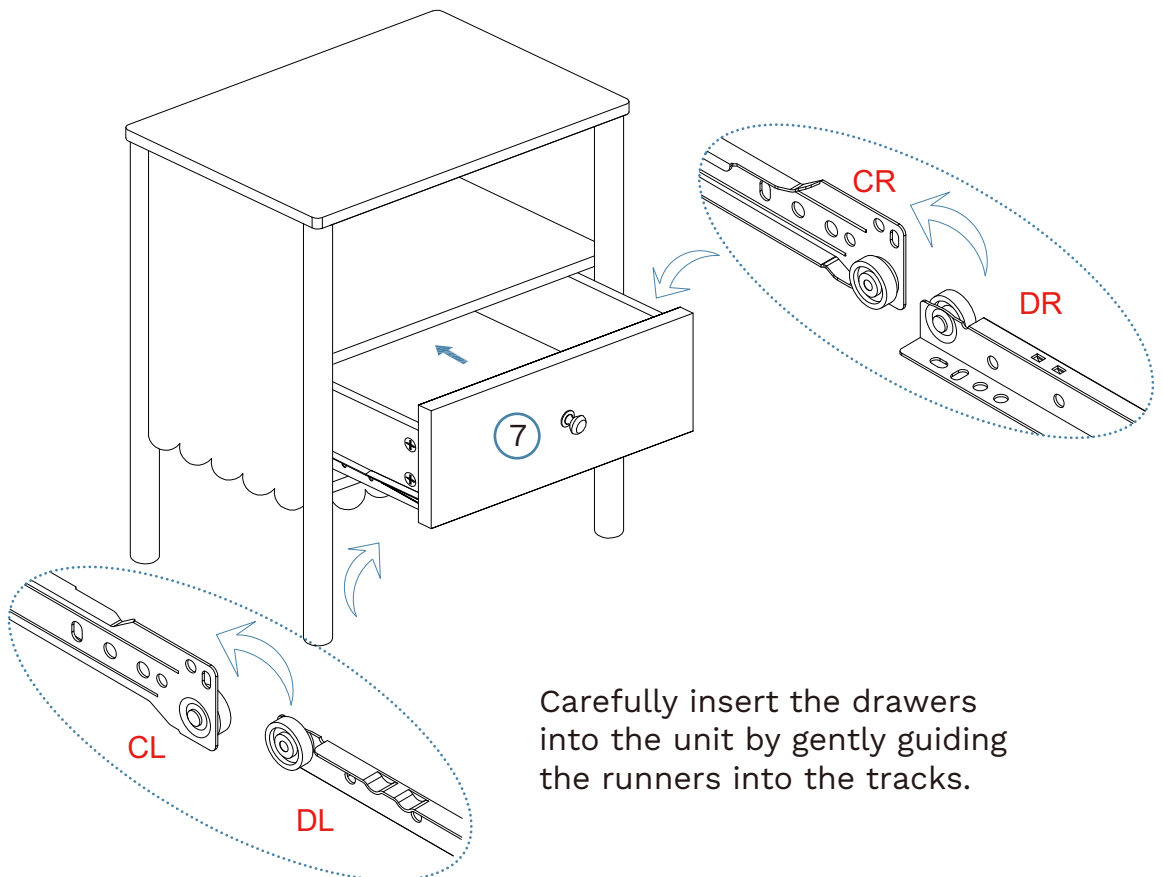
x 4

Maisie Scalloped Bedside Table

15



16

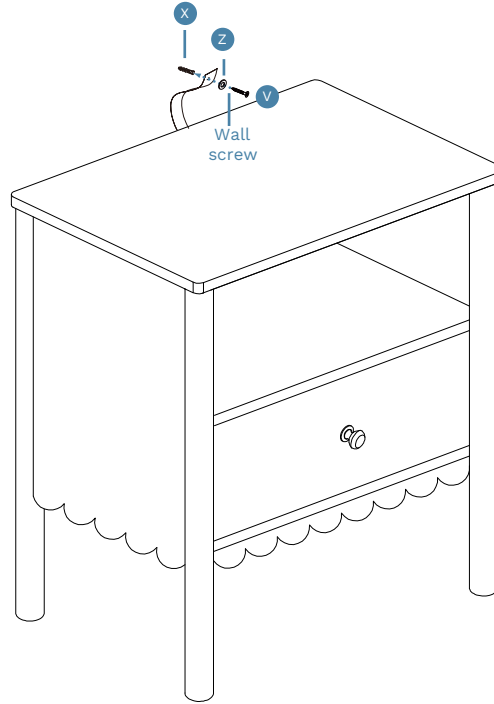
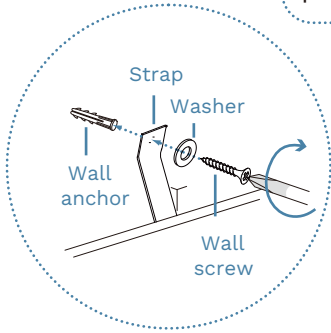





Carefully insert the drawers into the unit by gently guiding the runners into the tracks.

Maisie Scalloped Bedside Table

17

Note: Seek advice from a qualified trades person on how to attach this safety strap to your specific wall.
Once assembled lift furniture into place, do not drag.



Hardware Needed		
X		x1
V		x1
Z		x1